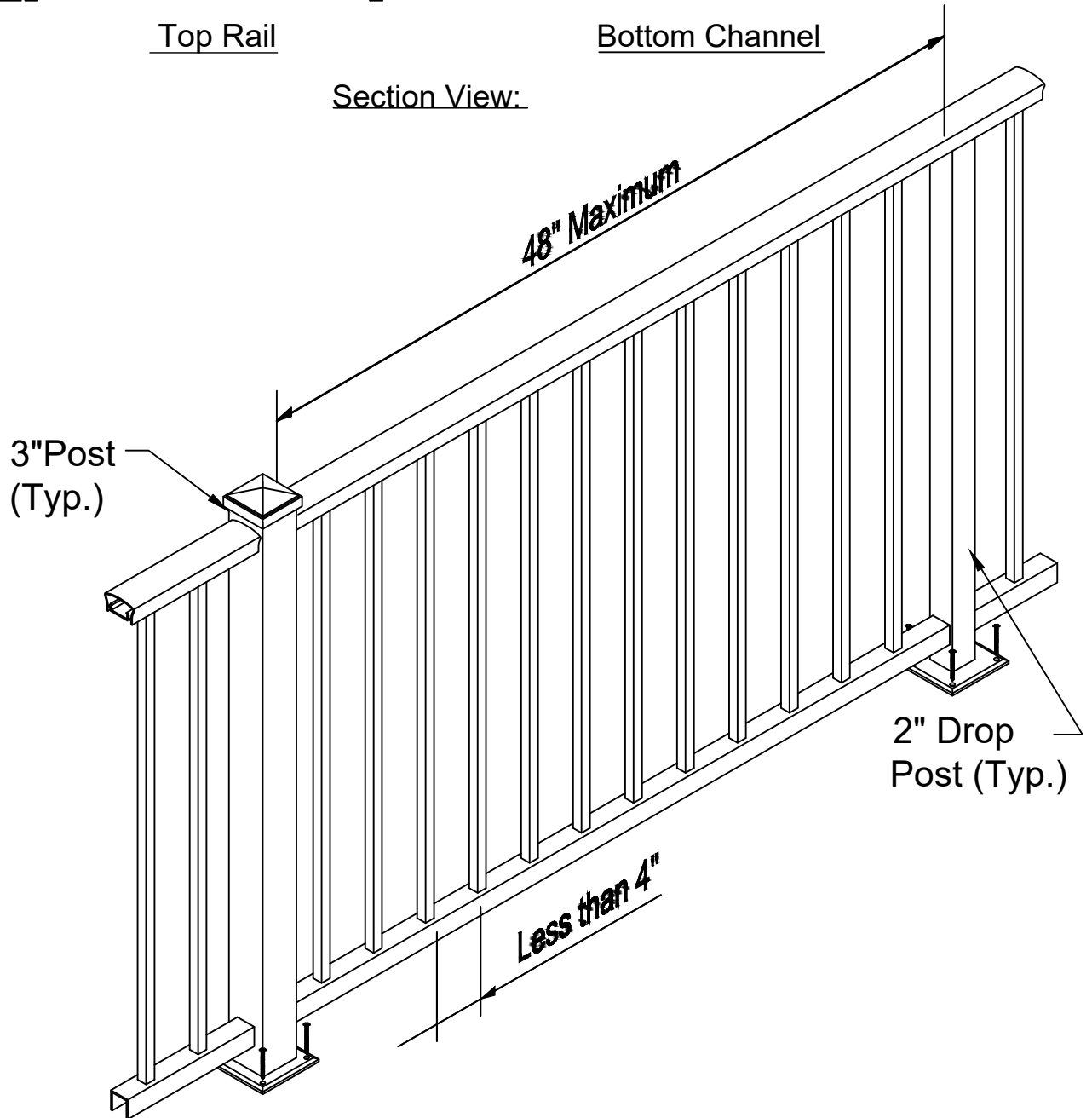


Top Rail

Bottom Channel

Section View:



48" Maximum

3" Post
(Typ.)

2" Drop
Post (Typ.)

Less than 4"